

深圳市运天戈科技有限公司

ShenZhenShi YunTianGe S&T CO .,LTD

PRODUCT SPECIFICATION

Customer (客户名称) : _____

Customer No.(客户编号) : _____

Product No. (产品编号): YTG-P97001-C1F1

深圳市运天戈科技有限公司

ShenZhenShi YunTianGe S&TCO .,LTD

PREPARED (制作)	CHECKED (审核)	APPROVED (批准)

Customer Approval 客户批准	<input type="checkbox"/> Accept 接收 <input type="checkbox"/> Reject 拒绝 Comment 意见: Approved by (确认人)
---------------------------	---

ShenZhenShi YunTianGe S&T CO .,LTD

Tel: 138 23768287

Phone : +86 0755 81499055

Fax : +86 0755 81499010

Email : wangxian8838@126.com

地址: 深圳市宝安区沙井镇和一鸿江工业园2栋5楼

深圳市运天戈科技有限公司

ShenZhenShi YunTianGe S&T CO .,LTD

NOTICE:

The content of this specification is subject to change without further notice. YTG assumes no responsibility concerning the accuracy, adequacy, or completeness of this specification. YTG makes no commitment to update, or to keep current the information and material contained in this specification.

Such information and material may change to conform to each confirmed order. In no event shall YTG be made responsible for any claims attributed to errors, omissions, or other inaccuracies in the information or material contained in this specification. YTG shall not be liable for direct, indirect, special incidental, or consequential damages arising from the use of such information or material.

The software (if any) described in this specification is furnished under a license or nondisclosure agreement, and may be used or copied only in accordance with the terms of such agreement.

YTG products are not intended for use in life support appliances, devices, or systems. Use of YTG product in such applications is not supported and is prohibited.

NO PART OF THIS SPECIFICATION MAY BE REPRODUCED OR TRANSMITTED IN ANY FORM OR BY ANY MEANS WITHOUT THE EXPRESSED WRITTEN PERMISSION OF YTG.

深圳市运天戈科技有限公司

ShenZhenShi YunTianGe S&T CO.,LTD

Contents 目录

1. General Specification 产品规格
2. Electrical Characteristics 电气参数
3. Optical Characteristics 光学参数
4. Reliability 信赖性
5. Durability 寿命
6. Touch panel description 触摸屏功能描述
 - 6.1 touch panel drawing 外形图
 - 6.2 Block diagram 功能结构图
 - 6.3 Touch panel pin assignment 引脚定义
7. Appearance Inspection 外观检验
 - 7.1 Inspection Conditions 检验条件
 - 7.2 Criteria 判定标准
8. Precautions 注意事项

Appendix 附件

工程图

深圳市运天戈科技有限公司

ShenZhenShi YunTianGe S&T CO.,LTD

1. General Specification 产品规格

Item 项目	CONTENTS 内容	Unit 单位
Outline Dimension 外形尺寸	以确认工程图为准	mm
Active Area(W*L)动作区	198.61*149.46	mm
View Area 可视区	197.61*148.46	mm
TP size (inch) 英寸尺寸	9.7	inch
Interface Type 接口种类	--	-
Number of touchpoint 触点数量	--	-
Operation Temperature 工作温度	TOPL = -10, TOPH =60	°C
Storage Temperature 储存温度	TSTL = -20, TSTH =70	°C
Sensor thickness ITO 厚度	0.55	mm
Coverlens thickness 钢化玻璃厚度	0.7	mm
Resolution 解析度	--	dpi
Input force 输入外力	<10	g
Surface hardness 表面硬度	>3	H

深圳市运天戈科技有限公司

ShenZhenShi YunTianGe S&T CO.,LTD

2. Electrical Characteristics (Ta=25°C) 电气参数

Item 项目	Symbol 标识	Condition 条件	Min.最小值	Type典型值	Max.最大值	Unit 单位
Power Supply 电压	VCC	--	--	--	--	V
Supply Current 电流	IDD	Vcc =3.3V Free mode	--	--	--	mA
		Vcc =3.3V watch mode	-	-	--	mA
		Vcc =3.3V Active mode	-	-	--	mA
		Vcc =3.3V Fast mode	-	--	-	mA

3. Optical Characteristics 光学参数

Item 项目	CONTENTS 内容	Remark 备注
Transparency 透过率	>86%	

4. Reliability 信赖性

Item 项目	Specifications 规格	Remark 备注
High Temperature Storage 高温存储	70°C,240hrs, Normalized for 2 hrs	
Low Temperature Storage 低温存储	-20°C,240hrs, Normalized for 2 hrs	Non-condensing 无结露
Temperature/ Humidity Storage 储存温度/湿度	60°C/90% RH,240hrs, normalized for 2 hrs	Non-condensing 无结露
High Temperature Operation 高温工作	55°C,24hrs, Perform well	
Low Temperature Operation 低温工作	-10 °C,24hrs, Perform well	Non-condensing 无结露
Temperature/ Humidity Storage 储存温度/湿度	60°C/90%RH,24hrs, Normalized for 2 hrs	Non-condensing 无结露
Thermal Shock 冷热冲击	-20 ~ 70°C, 60 Mins/cycle , Total 10 Cycles, Normalized for 2 hrs	

深圳市运天戈科技有限公司

ShenZhenShi YunTianGe S&T CO .,LTD

5. Durability 寿命

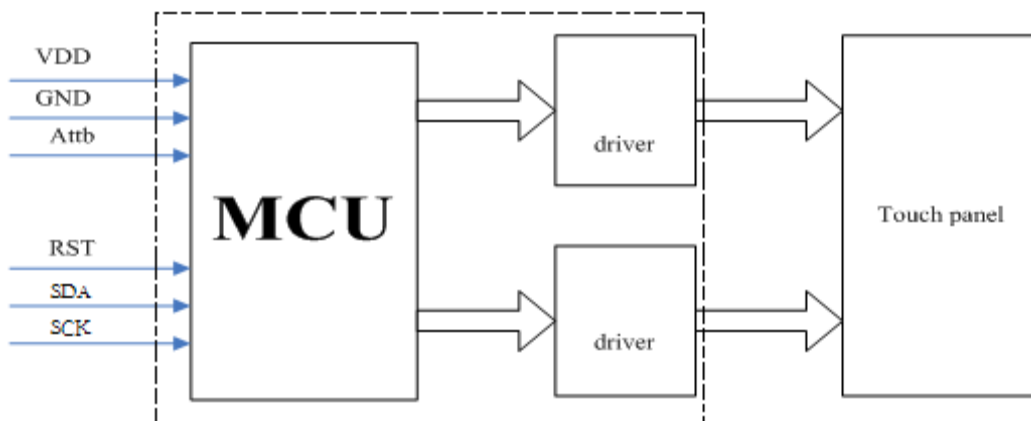
Item	Specification	Condition
Hitting life 撞击寿命	35,000,000 times	Hitting test may cause surface slight scratch yet the function stays intact 功能OK,外观轻微刮伤判OK
Panel Slide Test 滑动测试	250g, 20mm, 100,000 times	Slide test may cause surface slight scratch yet the function stays intact功能OK,外观轻微刮伤判OK.

6. Touch panel description 触摸屏功能描述

6.1 touch panel drawing 外形图

See appendix(见附工程图)

6.2 Block diagram 功能方框图



深圳市运天戈科技有限公司

ShenZhenShi YunTianGe S&T CO.,LTD

6.3 Touch panel pin assignment 引脚定义

Pin	Symbol	Pin	Symbol	Pin	Symbol	Pin	Symbol	Pin	Symbol
1	GND	13	DRV12	25	DRV24	37	SEN17	49	SEN5
2	DRV1	14	DRV13	26	DRV25	38	SEN16	50	SEN4
3	DRV2	15	DRV14	27	DRV26	39	SEN15	51	SEN3
4	DRV3	16	DRV15	28	DRV27	40	SEN14	52	SEN2
5	DRV4	17	DRV16	29	DRV28	41	SEN13	53	SEN1
6	DRV5	18	DRV17	30	DRV29	42	SEN12	54	GND
7	DRV6	19	DRV18	31	DRV30	43	SEN11		
8	DRV7	20	DRV19	32	GND	44	SEN10		
9	DRV8	21	DRV20	33	GND	45	SEN9		
10	DRV9	22	DRV21	34	SEN20	46	SEN8		
11	DRV10	23	DRV22	35	SEN19	47	SEN7		
12	DRV11	24	DRV23	36	SEN18	48	SEN6		

7. Appearance Inspection 外观检验

7.1 Inspection Conditions 检验条件

1. Environment: $22 \pm 3^{\circ}\text{C}$, Inspection distance: $30 \pm 10\text{cm}$.

2. Angle of Vision: $30^{\circ}\sim 90^{\circ}$

3. Lighting illumination: 17W fluorescent luminant lamp is used for appearance inspection.

Detail of settings is shown in figure 13.1 & 13.2 .

4. Minor impurities outside viewing area are acceptable unless their existence affect electrical functions.

深圳市运天戈科技有限公司

ShenZhenShi YunTianGe S&T CO.,LTD

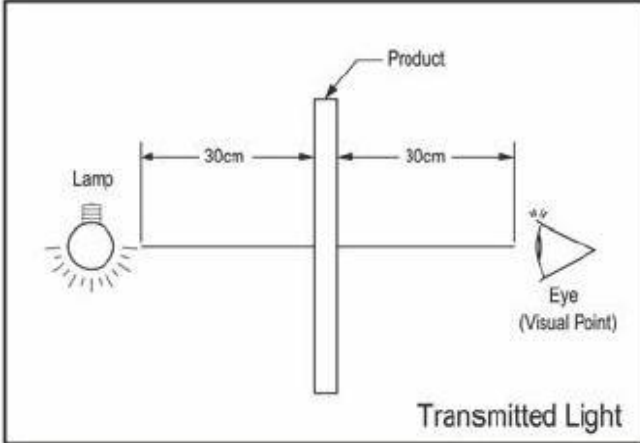


figure 13.1

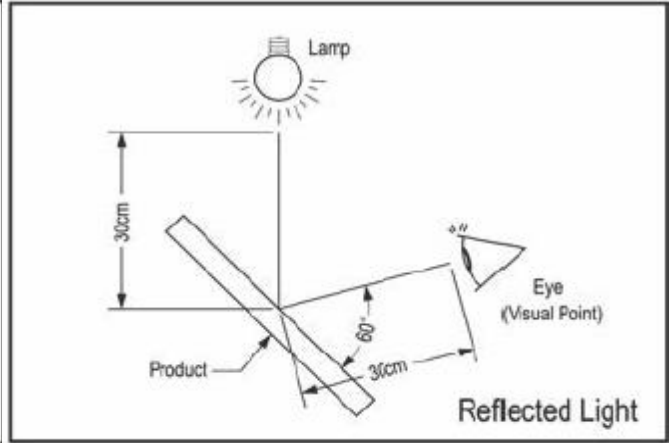


figure 13.2

7.2 Criteria 判定标准

Item 项目	Specification 规格
Particle 灰尘	(1) $D \leq 0.2$ OK (2) $0.2 < D \leq 0.35$ (each area contains ≤ 3 , total ≤ 5) OK (3) $D > 0.4$ NG
Linear Object 线状异物	(1) $W \leq 0.05$ OK (2) $0.05 < W \leq 0.1$ and $L \leq 5.0$, total ≤ 3 OK (3) $W > 0.1$ NG Remark: the particle will be ignored when it is removable by cleaning
Scratch 刮伤	(1) $W \leq 0.025$ OK (2) $0.025 < W \leq 0.05$ and $L \leq 12.0$, total ≤ 5 OK (3) $0.05 < W \leq 0.1$ and $L \leq 6$, total ≤ 5 OK (4) $W > 0.1$ NG
Remark 备注	1. D=Diameter 2. W=Width 3. L=Length

深圳市运天戈科技有限公司

ShenZhenShi YunTianGe S&T CO.,LTD

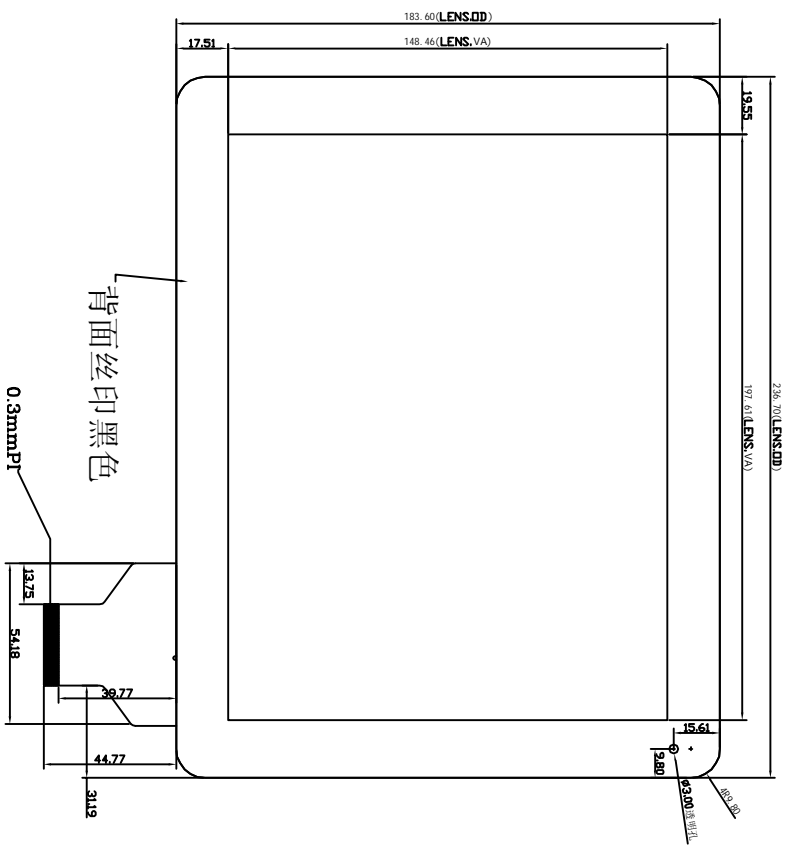
8. Precautions 注意事项

Storage	Store panel under the temperature and humidity range pre-specified. Direct sunlight exposure or piling should be avoided.
Unpack拆包	Unpack the box with the printed red arrow pointing up.
Handling 使用中	(1) Use clean sacks or glove to prevent fingerprints and/or stains left on the panel. Extra attention and carefulness should be taken while handling the glass edge. (2) Avoid high voltage and/or static charge (3) Holding the panel instead of the tail at all time.
Cleaning 清洁	(1) Use neutral detergent or isopropyl alcohol on a clean soft cloth to clean the panel surface (2) Prevent using any kind of chemical solvent, acidic or alkali solution.
installing 安装	(1) Excessive force or strain to the panel or tail is prohibited. (2) Retain at least 0.3 mm clearance between panel and display module. (3) Gasket or cushion pads around the edge of the panel may segregate waterand/or dust contamination.
Operating 操作	(1) Touch the panel with your finger or stylus only to assure normaloperation. Any sharp edged or hard objects are prohibited. (2) Operate the panel in a steady environment. Abrupt variation on temperature and humidity may cause malfunction of the panel.
Others 其他	(1) Keep the panel surface clean. Prevent any kind of adhesive applied on the surface. (2) Avoid high voltage and/or static charge.

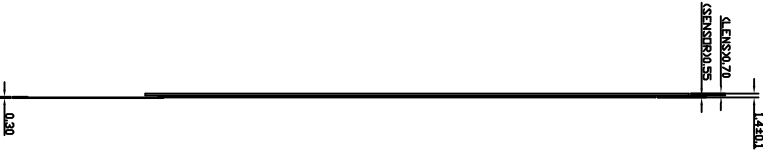
Appendix 附件

REV:	DATE:	CHANGE DESCRIPTION:
10	2012/7/16	FST ISSUE

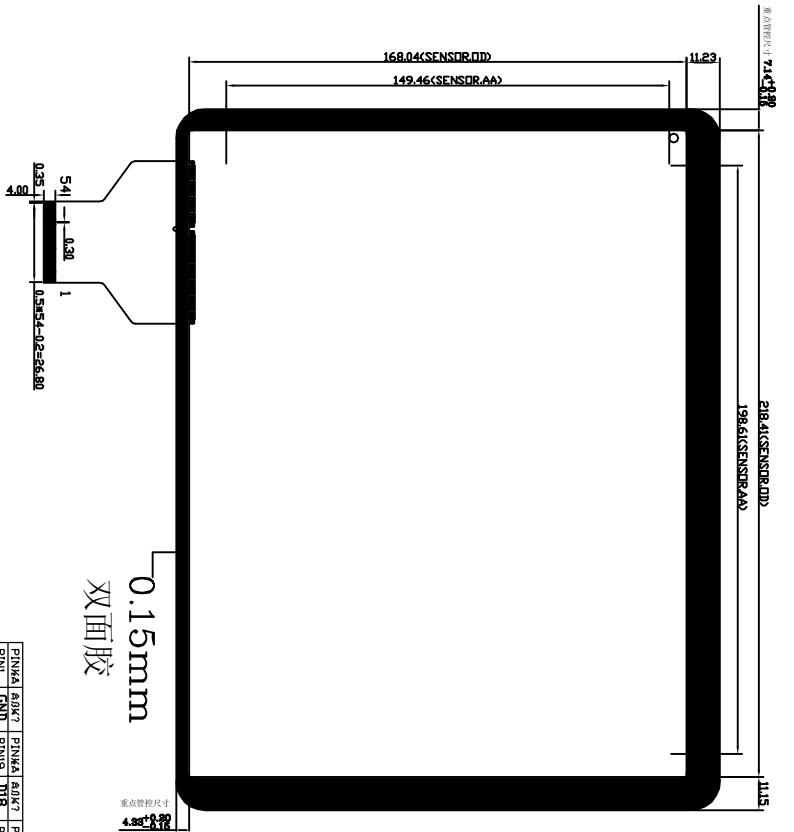
正面视图



侧面视图



背面视图



PIN1A	ADK7	PIN1A	ADK7	PIN1A	ADK7
PIN1	GND	PIN9	D18	PIN7	S17
PIN2	ANALOG	PIN20	D19	PIN8	S16
PIN3	D02	PIN1	D20	PIN9	S15
PIN4	D03	PIN2	D21	PIN0	S14
PIN5	D04	PIN3	D22	PIN1	S13
PIN6	D05	PIN4	D23	PIN2	S12
PIN7	D06	PIN5	D24	PIN3	S11
PIN8	D07	PIN6	D25	PIN4	S10
PIN9	D08	PIN7	D26	PIN5	S09
PIN0	D09	PIN8	D27	PIN6	S08
PIN1	D10	PIN9	D28	PIN7	S07
PIN2	D11	PIN0	D29	PIN8	S06
PIN3	D12	PIN1	D30	PIN9	S05
PIN4	D13	PIN2	GND	PIN0	S04
PIN5	D14	PIN3	GND	PIN1	S03
PIN6	D15	PIN4	SENSOR	PIN2	S02
PIN7	D16	PIN5	S19	PIN3	S01
PIN8	D17	PIN6	S18	PIN4	GND

请客户确认图纸!

确认签名:

- 备注:
- 1、COVER LENS的表面硬度>7H,底色油墨区域没透光现象。
 - 2、油墨厚度8~12um,油墨硬度≥4H
 - 3、LENS通过钢球冲击实验: 64克钢球,高度65CM作钢球冲击实验,无破碎。
 - 4、产品物料满足ROHS和无卤素要求。
 - 5、无油墨处透光率≥90%。
 - 6、CS ≥ 450MPA, DOL ≥ 8um。
 - 7、储存温度: -40℃ to 85℃。

DRAW No:	YTG-P97001-C1F1	深圳市运天戈科技有限公司
DRAWING BY:	YZG Ap017,2012	Shenzhen Yun Triange Technology Co., Ltd
CHECKED BY:	LSL Ap017,2012	UNIT: MM SHEET: 1/1 SCALE: 1:1
APPROVED BY:		Unspecified Tolerance: ± 0.1 REV: V1.0